

DOWNLOAD

[Jumanji: Welcome To The Jungle \(English\) Movie 3gp Free Download](#)

U.S. Patent Oct. 24, 1989

4,875,660

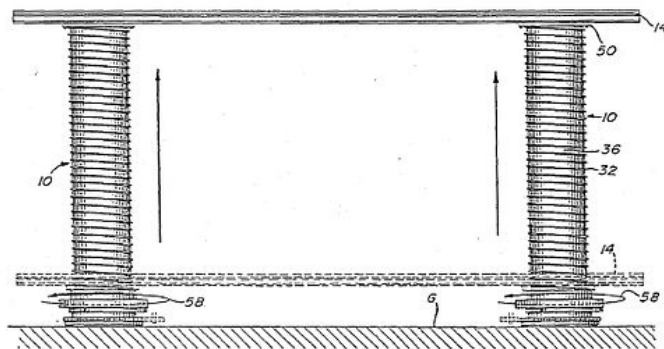


Fig. 1

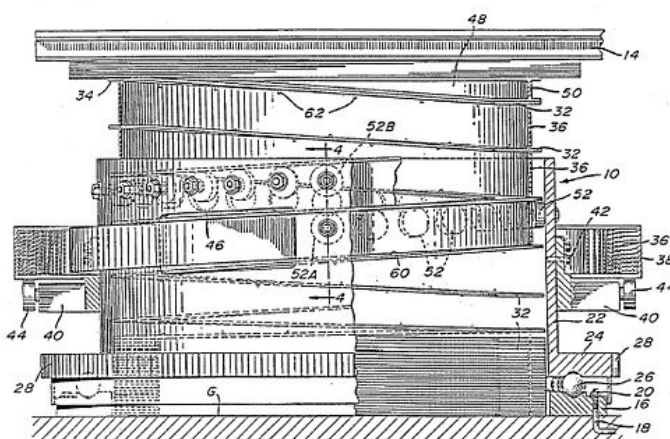


Fig. 2

- 10 Push Actuator
(Helical Band Actuator)
- 14 Platform
- 16 Annular Base
- 18 Anchors
- 20 Nuts
- 22 Rotor
- 24 Radial Flange
- 26 Roller Bearings
- 28 Gear Teeth
- 32 Horizontal Band
- 34 Leading End of Horizontal Band
- 36 Vertical Band
- 38 Vertical Band Storage Box
- 40 Brackets
- 44 Idle Roller
- 46 Rotor Opening
- 48 Leading End of Vertical Band
- 50 I-Shaped Member
- 52 Idle Rollers
- 52A Leading Roller
- 52B Trailing Roller
- 58 Lifting Rotation
- 60 Gap
- G Ground

[Jumanji: Welcome To The Jungle \(English\) Movie 3gp Free Download](#)

DOWNLOAD

09d653b45f